

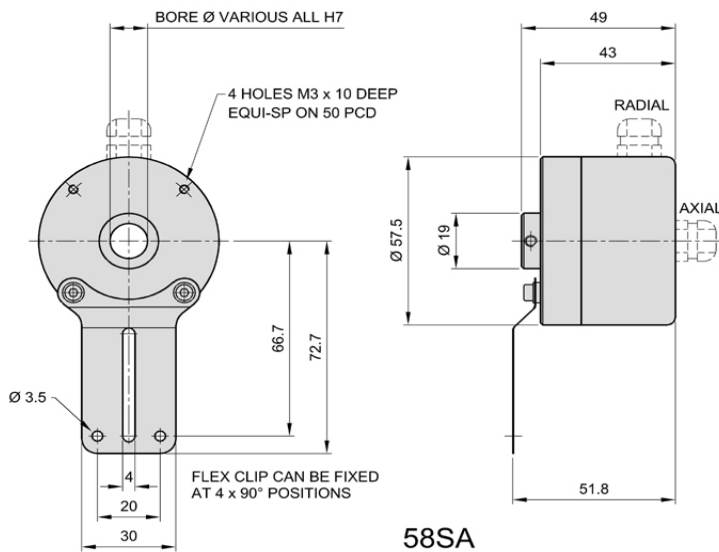
S E R I E S



58SA LUMINIUM

ROTARY INCREMENTAL SHAFT ENCODER

The 58SA Series is a high quality, yet low cost semi-hollow shaft encoder, specifically designed for OEM applications. Its small frame size of under 58mm makes it ideally suited for a variety of uses. Its choice of versatile spring mounting clip or front face mounting holes, makes the encoder compatible with many industrial formats.



S P E C I F I C A T I O N S

Protection:
IP54 or IP65 Options

Body:
Precision Machined
Aluminium

Cover:
Precision Machined
Aluminium
(Powder Coated)

Shaft:
Phosphor Bronze

Bearings:
Ballraces

Shaft Sealing:
Front: Sealed bearing
Rear: Single lip seal on
rear of cover

Operating Temp:
-20 to +60°C
(higher on request)

Maximum Speed:
3000 RPM
(Higher on request)

Torque:
2.35Ncm (typical)



Inertia:
100gcm² (typical)

Shaft Loading:
Designed to support its own
weight

Cable:
Screened, oil and salt water
proof

Impulse Frequency:
Up to 300KHz
(depending on model)

Current Consumption:
60mA
(typical - without load)

CONNECTIONS

FUNCTION CABLE PLUG

0 Volts	Black	Pin 1
+ Volts	Red	Pin 2
A Channel	White	Pin 3
B Channel	Blue	Pin 4
Z Channel	Yellow	Pin 5
\bar{A} Channel	Green	Pin 6
\bar{B} Channel	Violet	Pin 7
\bar{Z} Channel	Brown	Pin 8

ACCESSORIES AVAILABLE

~COUPLINGS

~BRACKETS & FLANGES

~MEASURING WHEELS

STANDARD FEATURES

-IP65 Protection

-Automatic Calibration

-Short - Circuit & Overload Protection

-UK Manufactured

-High Noise Immunity

-Robust Construction

-Low Cost

STANDARD ORDERING CODES

