

S E R I E S

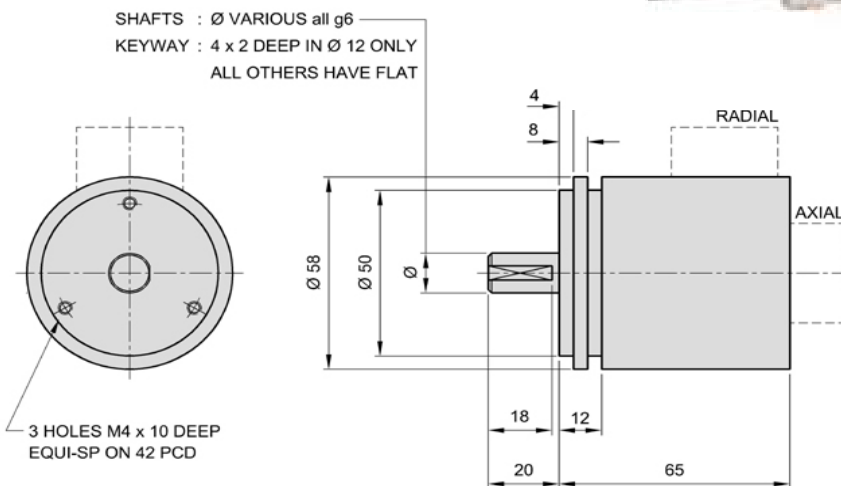


58TA LUMINIUM

ROTARY ABSOLUTE SHAFT ENCODER

The 58TA Series is a precision, high quality absolute shaft encoder, machined from solid aluminium. Its frame size of 58mm makes the encoder compatible with other industrial formats.

It uses the latest OptoASIC technology and programmable high speed logic for ultimate reliability and performance. The encoder automatically keeps track of the signal quality and automatically makes any adjustments necessary to gain the best performance throughout its life.



S P E C I F I C A T I O N S

Body:

Precision Machined Aluminium

Cover:

Precision Machined Aluminium

Shaft:

Stainless Steel

Bearings:

Ballraces

Shaft Sealing:

IP65: Sealed front bearing
IP66/IP67: Specialist shaft seal

Protection:

Options:
IP65 or
IP66 / IP67

Operating Temp:

-20 to +85°C
(depending on model)

Maximum Speed:

6000 RPM for IP65
3000 RPM for IP66 / IP67
(Higher on request)



Inertia:

100gcm² (typical)

Shaft Loading:

Axial = 10N (max)
Radial = 10N (max)

Cable:

Screened, oil and salt water proof

Impulse Frequency:

Up to 100KHz
(depending on model)

Current Consumption:

Less than 150mA
(typical - without load)

CONNECTIONS

FUNCTION CABLE PLUG

FUNCTION	CABLE	PLUG
0 Volts	colour Black	Pin No. 1
+ Volts	colour Red	Pin No. 2
2 ⁰	colour White	Pin No. 3
2 ¹	colour Blue	Pin No. 4
2 ²	colour Yellow	Pin No. 5
2 ³	colour Green	Pin No. 6
2 ⁴	colour Violet	Pin No. 7
2 ⁵	colour Brown	Pin No. 8
2 ⁶	colour Pink	Pin No. 9
2 ⁷	colour Turquoise	Pin No. 10
2 ⁸	colour Grey	Pin No. 11
2 ⁹	colour Orange	Pin No. 12
2 ¹⁰	colour Green/Red	Pin No. 13
2 ¹¹	colour Red/Blue	Pin No. 14
2 ¹²	colour Yellow/Red	Pin No. 15
Direction Change	colour White/Red	
	colour Red/Brown	
	colour Orange/Green	
	colour Red/Black	Pin No. 16

STANDARD FEATURES

- IP65 or IP66/IP67 Protection
- Up To 13Bit Available
- Automatic Calibration
- Short - Circuit & Overload Protection
- UK Manufactured
- High Noise Immunity
- Robust Construction
- Low Cost
- Fast Delivery
- 3 YEAR WARRANTY

STANDARD ORDERING CODES

