

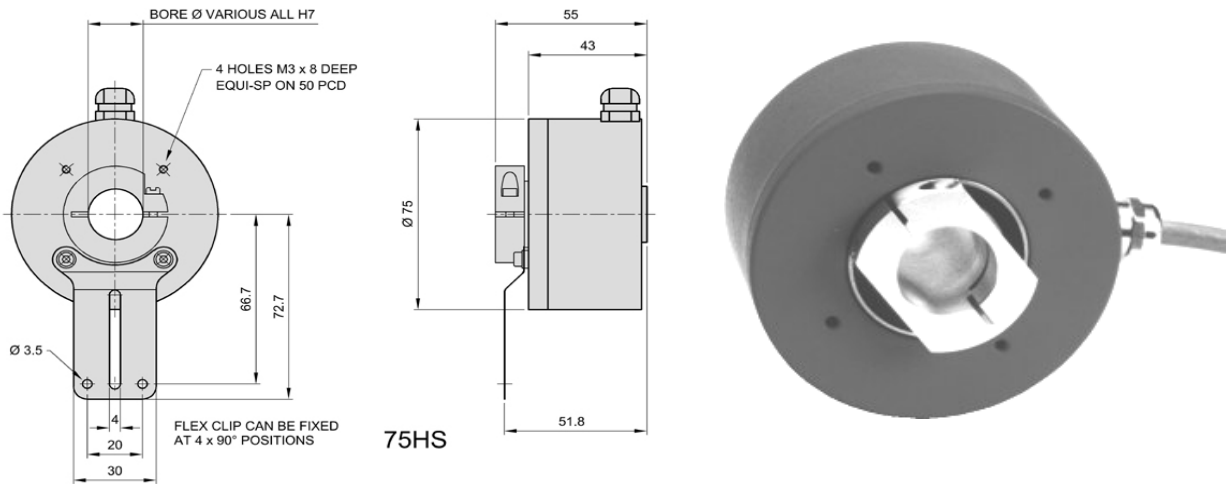
# S E R I E S



# 75HS STAINLESS STEEL

## ROTARY INCREMENTAL SHAFT ENCODER

The 75HS Series is a precision, yet versatile hollow shaft encoder designed for harsh environments and is machined from solid 316 Stainless Steel. Its choice of versatile spring mounting clip or front face mounting holes, makes the encoder compatible with many industrial formats



## S P E C I F I C A T I O N S

**Body:**  
Stainless Steel (316)

**Cover:**  
Stainless Steel (316)

**Shaft:**  
Stainless Steel

**Bearings**  
Ballraces

**Shaft Sealing:**  
**Front:** Sealed bearing + Single lip seal  
**Rear:** Single lip seal on rear of cover

**Protection:**  
IP66 / IP67

**Operating Temp:**  
-20 to +60°C  
(higher on request)

**Maximum Speed:**  
3000 RPM

**Torque:**  
4Ncm (typical)

**Inertia:**  
200gcm<sup>2</sup> (typical)

**Shaft Loading:**  
Designed to support its own weight

**Cable:**  
Screened, oil and salt water proof

**Impulse Frequency:**  
Up to 300KHz  
(depending on model)

**Current Consumption:**  
60mA  
(typical - without load)

## S T A N D A R D R E S O L U T I O N S

1,2,3,4,5,6,7,8,9,10,11,12,13,14,15,16,17,18,19,20,21,22,23,24,25,26,27,28,29,30,31,32,33,34,35,36,37,38,39,40,41,42,43,44,45,46,47,48,49,50,51,52,53,54,55,56,57,58,59,60,61,62,63,64,65,66,67,68,69,70,71,72,73,74,75,76,77,78,79,80,81,82,83,84,85,86,87,88,89,90,91,92,93,94,95,96,97,98,99,100,101,102,103,104,105,106,107,108,109,110,111,112,113,114,115,116,117,118,119,120,121,122,123,124,125,126,127,128,129,130,131,132,133,134,135,136,137,138,139,140,141,142,143,144,145,146,147,148,149,150,151,152,153,154,155,156,158,159,160,161,162,163,164,165,166,167,168,169,170,171,172,173,174,175,176,177,178,179,180,181,182,183,184,185,186,187,188,189,190,191,192,193,194,195,196,197,198,199,200,201,202,203,204,205,206,207,208,209,210,211,212,213,214,215,216,217,218,219,220,221,222,223,224,225,226,227,228,229,230,231,232,233,234,235,236,237,238,239,240,241,242,243,244,245,246,247,248,249,250,251,252,253,254,255,256,257,258,259,260,261,262,263,264,265,266,267,268,269,270,271,272,273,274,275,276,277,278,279,280,281,282,283,284,285,286,287,288,289,290,291,292,293,294,295,296,297,298,299,300,301,302,303,304,305,306,307,308,309,310,311,312,313,314,315,316,317,318,319,320,321,322,323,324,325,326,327,328,329,330,331,332,333,334,335,336,337,338,339,340,341,342,343,344,345,346,347,348,349,350,351,352,353,354,355,356,357,358,359,360,361,362,363,364,365,366,367,368,369,370,371,372,373,374,375,376,377,378,379,380,381,382,383,384,385,386,387,388,389,390,391,392,393,394,395,396,397,398,399,400,401,402,403,404,405,406,407,408,409,410,411,412,413,414,415,416,417,418,419,420,421,422,423,424,425,426,427,428,429,430,431,432,433,434,435,436,437,438,439,440,441,442,443,444,445,446,447,448,449,450,451,452,453,454,455,456,457,458,459,460,461,462,463,464,465,466,467,468,469,470,471,472,473,474,475,476,477,478,479,480,481,482,483,484,485,486,487,488,489,490,491,492,493,494,495,496,497,498,499,500,501,502,503,504,505,506,507,508,509,510,511,512,513,514,515,516,517,518,519,520,521,522,523,524,525,526,527,528,529,530,531,532,533,534,535,536,537,538,539,540,541,542,543,544,545,546,547,548,549,550,551,552,553,554,555,556,557,558,559,560,561,562,563,564,565,566,567,568,569,570,571,572,573,574,575,576,577,578,579,580,581,582,583,584,585,586,587,588,589,590,591,592,593,594,595,596,597,598,599,1000,1001,1002,1003,1004,1005,1006,1007,1008,1009,1010,1011,1012,1013,1014,1015,1016,1017,1018,1019,1020,1021,1022,1023,1024,1025,1026,1250,1270,1400,1500,1800,2000,2048,2250,2400,2500,3000,3600,4000,4096,5000,6000,9000,10000...

# C O N N E C T I O N S

FUNCTION CABLE PLUG

0 Volts	Black	Pin 1
+ Volts	Red	Pin 2
A Channel	White	Pin 3
B Channel	Blue	Pin 4
Z Channel	Yellow	Pin 5
$\bar{A}$ Channel	Green	Pin 6
$\bar{B}$ Channel	Violet	Pin 7
$\bar{Z}$ Channel	Brown	Pin 8

## A C C E S S O R I E S A V A I L A B L E

~COUPLINGS

~BRACKETS & FLANGES

~MEASURING WHEELS

# S T A N D A R D F E A T U R E S

-IP66/IP67 Protection

-Automatic Calibration

-Short - Circuit & Overload Protection

-UK Manufactured

-High Noise Immunity

-Robust Construction

-Low Cost

-Fast Delivery

-3 YEAR WARRANTY

## S T A N D A R D O R D E R I N G C O D E S

