



Industrial Encoders
Direct Ltd

51HA Series

Ultra-Versatile Hollow Shaft Encoder



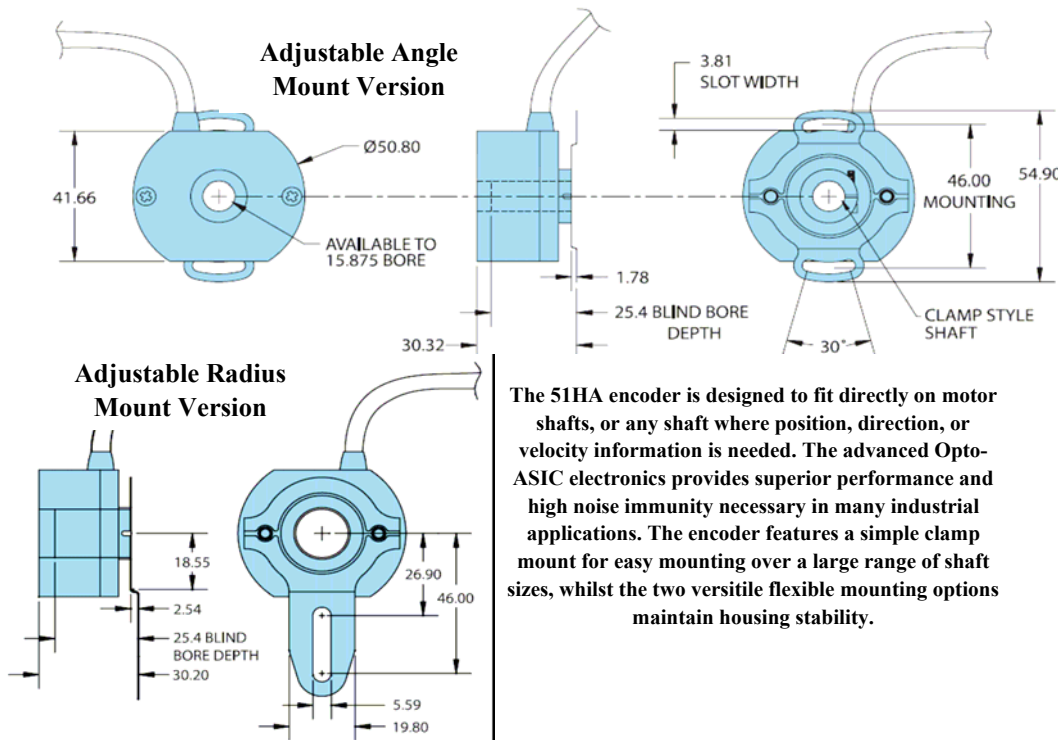
Features

- Very Slim Profile
- 100 Degrees C Operation (-40°C Available)
- Opto-ASIC Technology
- Many Resolutions Available
- Up to 15mm bore (Metric) & up to 5/8" (Imperial)

Resolutions

- 1
- 10
- 11
- 12
- 20
- 25
- 30
- 40
- 60
- 100
- 120
- 128
- 200
- 250
- 254
- 256
- 300
- 360
- 400
- 500
- 512
- 600
- 720
- 800
- 840
- 1000
- 1024
- 1200
- 1220
- 1250
- 1270
- 1800
- 2000
- 2048
- 2500
- 2540
- 3000
- 4096
- 5000
- 8192
- 10000

COMMON APPLICATIONS: Motor Feedback - Velocity & Position Control etc.



SPECIFICATIONS

Body:

Precision Machined
Aluminium (Anodized)

Cover:

Precision Machined
Aluminium
(Powder Coated)

Shaft:

Stainless Steel

Bearings:

Sealed Ball Race

Cable: Screened

Protection:

IP64

User Shaft Allowable Runout:

0.2mm Total Indicated Reading (TIR)
0.75mm Allowable End Play (Maximum)

Operating Temperature:

0 to +100°C

(-40°C to +70°C Optional)

Storage Temperature:

-40 to +100°C

Maximum Speed:

7500 RPM

Vibration:

10g @ 58 to 500Hz

Shock:

50g @ 11ms duration

Humidity:

98% RH (non-condensing)

Shaft Loading:

Flexible Mount (as supplied)

Cable:

Screened, oil and salt water proof

Impulse Frequency:

200KHz (Max)

Current Consumption:

100mA (Maximum - without load)

Noise Immunity:

BS EN61000-6-2; BS EN50081-2; BS EN61000-4-2; BS EN61000-4-3; BS EN61000-4-6; BS EN55011

TEL: (UK) +44 (0) 1978 664722

FAX: (UK) +44 1978 664733

WEB: www.industrialencodersdirect.co.uk

EMAIL: sales@industrialencodersdirect.co.uk

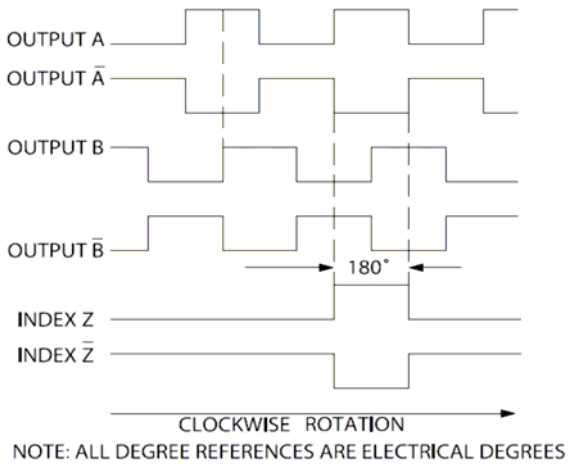


Industrial Encoders
Direct Ltd

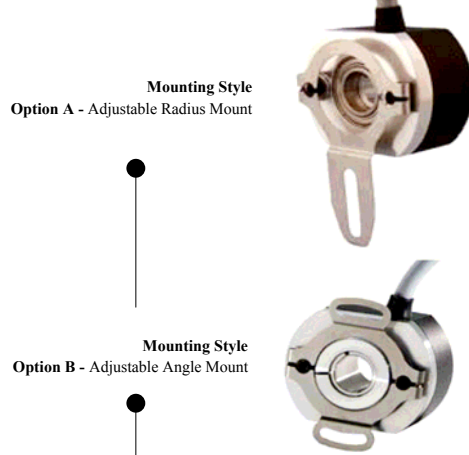
51HA Series

Ultra-Versatile Hollow Shaft Encoder

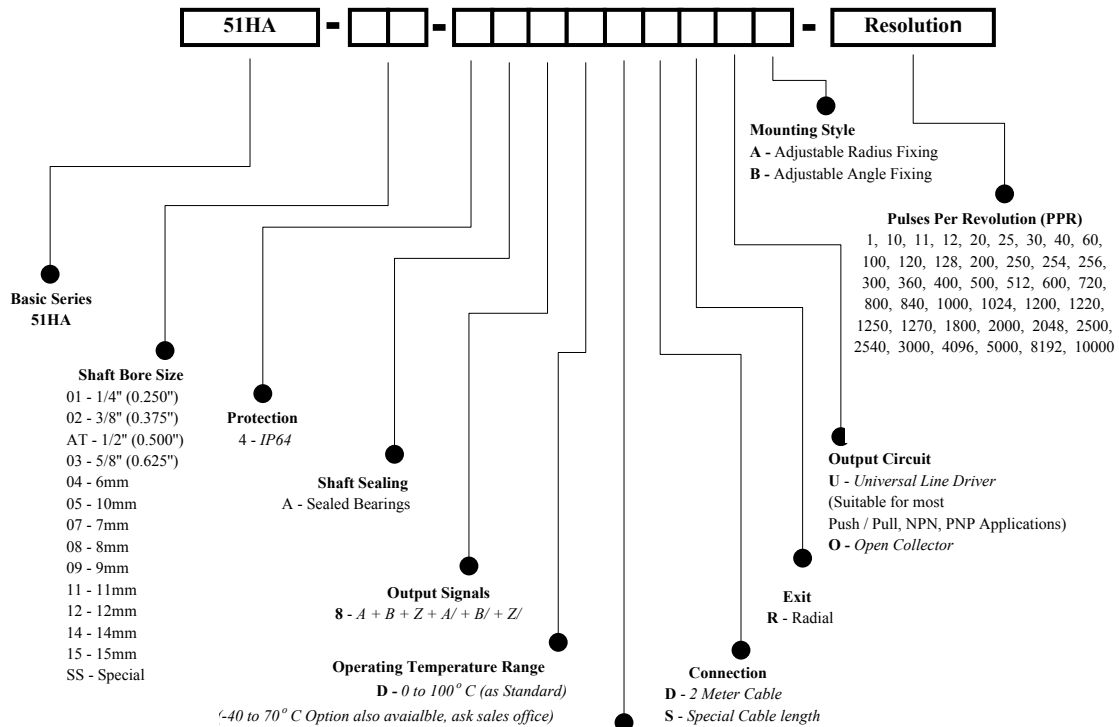
Waveform Diagram



Mounting Options



Ordering Code



All information shown shall under no circumstances form part of any contractual representation by Industrial Encoders Direct Ltd.
All information is issued for guidance purposes only. A copy of our Standard Terms and Conditions is available on request.

TEL: (UK) +44 (0) 1978 664722
 FAX: (UK) +44 1978 664733
 WEB: www.industrialencodersdirect.co.uk
 EMAIL: sales@industrialencodersdirect.co.uk