



Industrial Encoders  
Direct Ltd

# 51XA Series

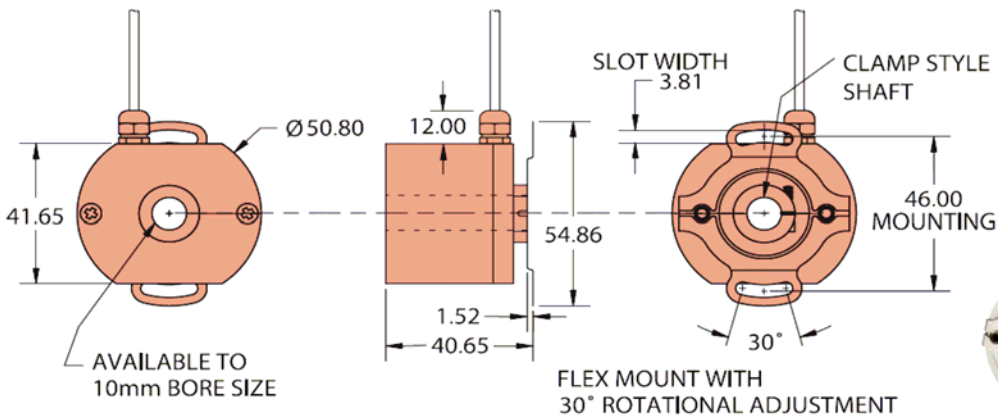
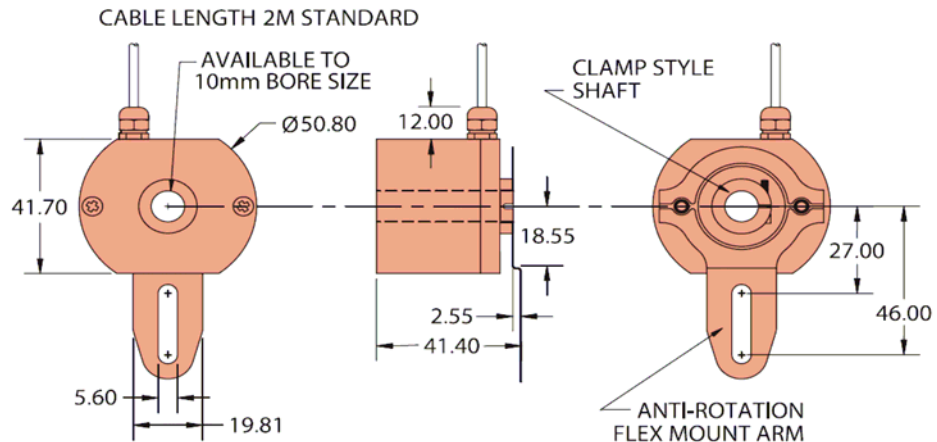
## — Miniature Absolute Hollow Shaft Encoder —

### Features

- Very Small Profile
- Up to 11 Bit Absolute (Parallel)
- Sturdy Metal Construction
- Opto-ASIC Technology



Adjustable Radius  
Mount Version



Adjustable  
Angle Mount  
Version



### SPECIFICATIONS

**Body:**

Precision Machined  
Aluminium (Anodized)

**Cover:**

Precision Machined  
Aluminium  
(Powder Coated)

**Shaft:**

Stainless Steel

**Bearings:**

Sealed Ball Race

Cable: Screened

**Protection:**

IP64

**User Shaft Allowable Runout:**

0.2mm Total Indicated Reading (TIR)  
+/- 0.75mm Allowable End Play (Maximum)

**Operating Temperature:**

0 to +70°C

**Storage Temperature:**

-20 to +85°C

**Maximum Speed:**

6000 RPM

**Vibration:**

10g @ 58 to 500Hz

**Shock:**

50g @ 11ms duration

**Humidity:**

98% RH (non-condensing)

**Shaft Loading:**

Flexible Mount (as supplied)

**Cable:**

Screened, oil and salt water proof

**Impulse Frequency:**

200KHz (Max)

**Current Consumption:**

100mA (Maximum - without load)

**Signal Accuracy:**

+/-1/6 (LSB)

TEL: (UK) +44 (0) 1978 664722

FAX: (UK) +44 1978 664733

WEB: [www.industrialencodersdirect.co.uk](http://www.industrialencodersdirect.co.uk)

EMAIL: [sales@industrialencodersdirect.co.uk](mailto:sales@industrialencodersdirect.co.uk)

