

S E R I E S

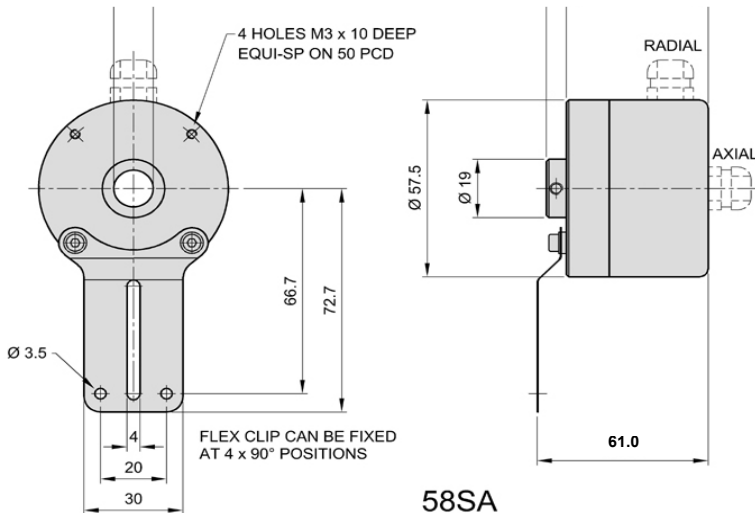


# 58WA LUMINIUM

ROTARY ABSOLUTE SHAFT ENCODER

The 58WA Series is a precision, high quality absolute shaft encoder, machined from solid aluminium. Its frame size of 58mm and universal flexi-clip mounting makes the encoder compatible with other industrial formats.

It uses the latest OptoASIC technology and programmable high speed logic for ultimate reliability and performance. The encoder automatically keeps track of the signal quality and automatically makes any adjustments necessary to gain the best performance throughout its life.



## S P E C I F I C A T I O N S

**Body:**

Precision Machined  
Aluminium

**Cover:**

Precision Machined  
Aluminium

**Shaft:**

Phosphor Bronze

**Bearings:**

Ballraces

**Shaft Sealing:**

IP65: Sealed front bearing  
IP66/IP67: Specialist shaft  
seal

**Protection:**

Options:  
IP65 or  
IP66 / IP67

**Operating Temp:**

-20 to +85°C  
(depending on model)

**Maximum Speed:**

6000 RPM for IP65  
3000 RPM for IP66 / IP67  
(Higher on request)



**Inertia:**

100gcm<sup>2</sup> (typical)

**Shaft Loading:**

Axial = 10N (max)  
Radial = 10N (max)

**Cable:**

Screened, oil and salt water  
proof

**Impulse Frequency:**

Up to 100KHz  
(depending on model)

**Current Consumption:**

Less than 150mA  
(typical - without load)

# CONNECTIONS

FUNCTION CABLE PLUG

<b>BINARY AND GRAY CODES</b>	<b>Binary Coded Decimal (BCD)</b>	<b>UNITS</b>	0 Volts	colour <b>Black</b>	Pin No. <b>1</b>
			+ Volts	colour <b>Red</b>	Pin No. <b>2</b>
			2 <sup>0</sup>	colour <b>White</b>	Pin No. <b>3</b>
			2 <sup>1</sup>	colour <b>Blue</b>	Pin No. <b>4</b>
			2 <sup>2</sup>	colour <b>Yellow</b>	Pin No. <b>5</b>
			2 <sup>3</sup>	colour <b>Green</b>	Pin No. <b>6</b>
			2 <sup>4</sup>	colour <b>Violet</b>	Pin No. <b>7</b>
			2 <sup>5</sup>	colour <b>Brown</b>	Pin No. <b>8</b>
			2 <sup>6</sup>	colour <b>Pink</b>	Pin No. <b>9</b>
			2 <sup>7</sup>	colour <b>Turquoise</b>	Pin No. <b>10</b>
			2 <sup>8</sup>	colour <b>Grey</b>	Pin No. <b>11</b>
			2 <sup>9</sup>	colour <b>Orange</b>	Pin No. <b>12</b>
			2 <sup>10</sup>	colour <b>Green/Red</b>	Pin No. <b>13</b>
			2 <sup>11</sup>	colour <b>Red/Blue</b>	Pin No. <b>14</b>
			2 <sup>12</sup>	colour <b>Yellow/Red</b>	Pin No. <b>15</b>
			<b>Direction Change</b>		
			colour <b>Red/Brown</b>		
			colour <b>Orange/Green</b>		
			colour <b>Red/Black</b>	Pin No. <b>16</b>	

# STANDARD FEATURES

- IP65 or IP66/IP67 Protection
- Up To 13Bit Available
- Automatic Calibration
- Short - Circuit & Overload Protection
- UK Manufactured
- High Noise Immunity
- Robust Construction
- Low Cost
- Fast Delivery
- 3 YEAR WARRANTY

# STANDARD ORDERING CODES

