



Industrial Encoders  
Direct Ltd

# 60HA Series

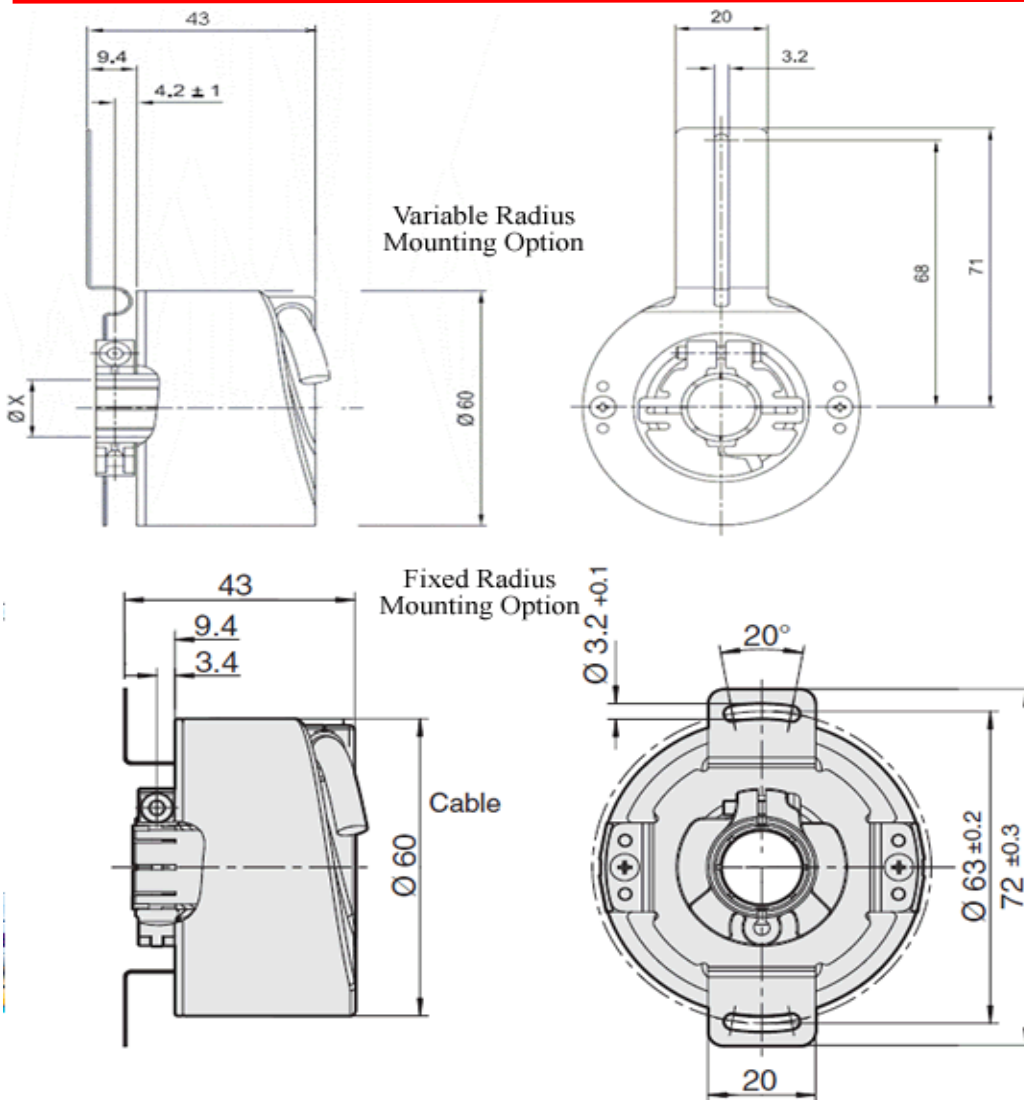
## Universal Hollow Shaft Encoder



### Features

- **Factory Set for Same Day Dispatch (1 to 65,536 Pulses Per Rev)**
- **100 Degrees Centigrate cabability as standard**
- **Opto-ASIC Technology**
- **Any bore - up to 15mm bore (Metric) or (Imperial)**

The 60HA encoder is designed to fit directly on to motor shafts, or any shaft where position, direction, or velocity information is needed. The advanced electronics provides superior performance and high noise immunity. The encoder features a simple clamp mount for easy mounting over a large range of shaft sizes, whilst the univesal anti-rotation flex mount maintains housing stability. Alternatively, if body rotation is required, there is the option of rotatable mounting on a fixed radius instead.



TEL: (UK) +44 (0) 1978 664722 FAX: (UK) +44 (0) 1978 664733  
[www.industrialencodersdirect.co.uk](http://www.industrialencodersdirect.co.uk) [sales@industrialencodersdirect.co.uk](mailto:sales@industrialencodersdirect.co.uk)

