

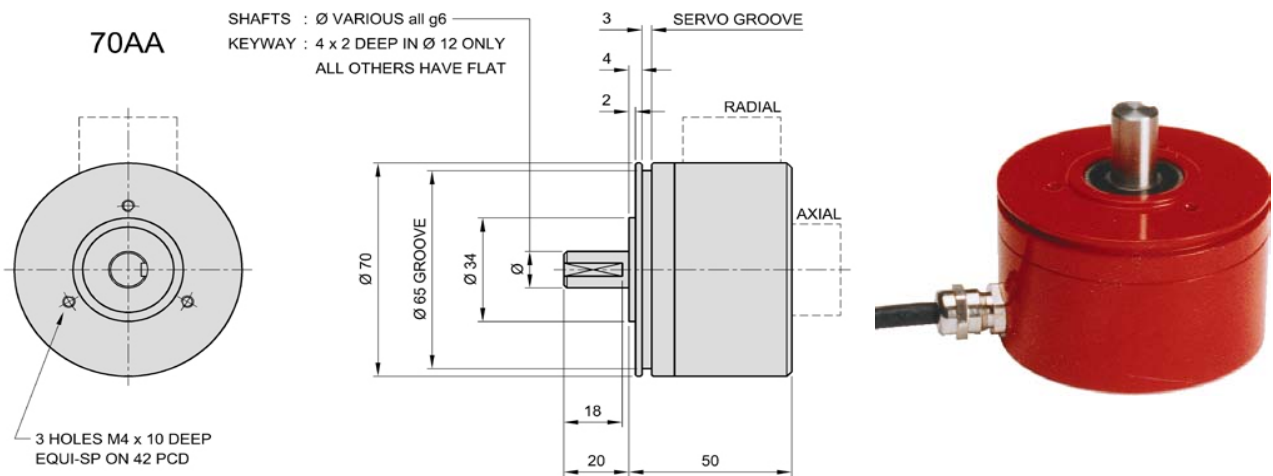
S E R I E S



# 70AA LUMINIUM

ROTARY INCREMENTAL SHAFT ENCODER

The 70AA Series is a precision, yet versatile shaft encoder, machined from aluminium. Its 70mm frame size together with its integral servo-flange and front face mounting holes, make the encoder compatible with other industrial formats.



## S P E C I F I C A T I O N S

**Body:**

Precision Machined  
Aluminium

**Cover:**

Precision Machined  
Aluminium  
(Powder Coated)

**Shaft:**

Stainless Steel

**Bearings:**

Ballraces

**Shaft Sealing:**

Sealed front bearing  
(shafts seals are available  
on request)

**Protection:**

IP65

**Operating Temp:**

-20 to +85°C  
(depending on model)

**Maximum Speed:**

6000 RPM  
(Higher on request)

**Torque:**

2.35Ncm (typical)

**Inertia:**

100gcm<sup>2</sup> (typical)

**Shaft Loading:**

Axial = 10N (max)  
Radial = 10N (max)

**Cable:**

Screened, oil and salt water  
proof

**Impulse Frequency:**

Up to 300KHz  
(depending on model)

**Current Consumption:**

60mA  
(typical - without load)



## CONNECTIONS

FUNCTION CABLE PLUG

0 Volts	Black	Pin 1
+ Volts	Red	Pin 2
A Channel	White	Pin 3
B Channel	Blue	Pin 4
Z Channel	Yellow	Pin 5
$\bar{A}$ Channel	Green	Pin 6
$\bar{B}$ Channel	Violet	Pin 7
$\bar{Z}$ Channel	Brown	Pin 8

## ACCESSORIES AVAILABLE

~COUPLINGS

~BRACKETS & FLANGES

~MEASURING WHEELS

## STANDARD FEATURES

-IP65 Protection

-Automatic Calibration

-Short - Circuit & Overload Protection

-UK Manufactured

-High Noise Immunity

-Robust Construction

-Low Cost

-Fast Delivery

-3 YEAR WARRANTY

## STANDARD ORDERING CODES

