

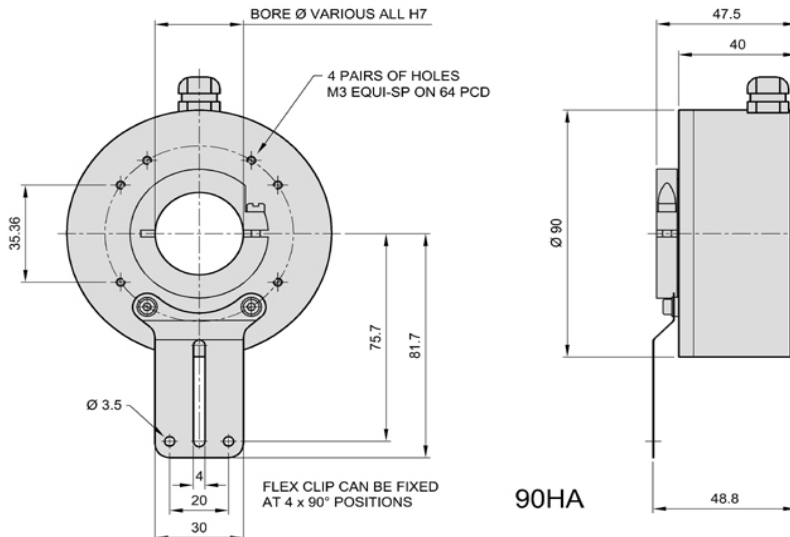
S E R I E S



90HA LUMINIUM

ROTARY INCREMENTAL SHAFT ENCODER

The 90HA Series is a precision heavy duty hollow shaft encoder, machined from solid aluminium. Its choice of versatile spring mounting clip or front face mounting holes, makes the encoder compatible with many industrial formats.



S P E C I F I C A T I O N S

Body:

Precision Machined
Aluminium

Cover:

Precision Machined
Aluminium
(Powder Coated)

Shaft:

Stainless Steel

Bearings:

Ballraces

Shaft Sealing:

Front: Sealed bearing
Rear: Single lip seal on
rear of cover

Protection:

IP65

Operating Temp:

-20 to +60°C
(higher on request)

Maximum Speed:

3000 RPM
(Higher on request)

Torque:

3Ncm (typical)

Inertia:

600gcm² (typical)

Shaft Loading:

Designed to support its own
weight

Cable:

Screened, oil and salt water
proof

Impulse Frequency:

Up to 300KHz
(depending on model)

Current Consumption:

60mA
(typical - without load)



CONNECTIONS

FUNCTION CABLE PLUG

0 Volts	Black	Pin 1
+ Volts	Red	Pin 2
A Channel	White	Pin 3
B Channel	Blue	Pin 4
Z Channel	Yellow	Pin 5
\bar{A} Channel	Green	Pin 6
\bar{B} Channel	Violet	Pin 7
\bar{Z} Channel	Brown	Pin 8

ACCESSORIES AVAILABLE

~COUPLINGS

~BRACKETS & FLANGES

~MEASURING WHEELS

STANDARD FEATURES

- IP65 Protection
- Automatic Calibration
- Short - Circuit & Overload Protection
- UK Manufactured
- High Noise Immunity
- Robust Construction
- Low Cost
- Fast Delivery
- 3 YEAR WARRANTY

STANDARD ORDERING CODES

