



The pages in this document have been extracted from a larger document and as such any page numbers are relevant only to the original document.

HENGSTLER

Rotary Encoder Solutions Limited
Dutton Road
Redwither Business Park
Wrexham
LL13 9UL

tel: +44(0) 1978 664722
fax: +44(0) 1978 664733
email: sales@rotaryencodersolutions.com
web: www.rotaryencodersolutions.com

Rotary Encoder Solutions is part of the Industrial Encoders Direct Ltd. Group of Companies and is trading as Industrial Encoders Direct Ltd

The information shown in this document is for reference purposes only and forms no contractual obligation. Any detail in this document may be changed without prior notice. No liability is accepted for any information contained in this document.



HENGSTLER



60AA Series

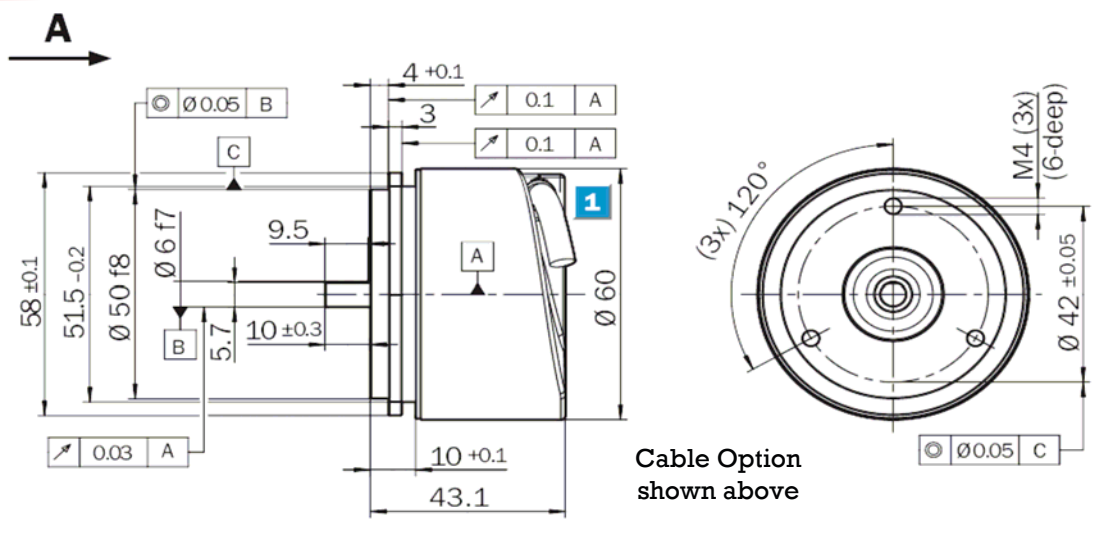
Solid Shaft Encoder



Features

- **Factory Set for Same Day Dispatch (1 to 65,536 Pulses Per Rev)**
- **100 Degrees Centigrate capability as standard**
- **Industry Standard Mounting**
- **IP65 Protection**
- **Same Day Dispatch**

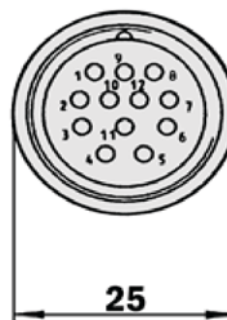
The 60AA encoder is designed to be directly interchangeable with industry standard servo-mount style encoders, but with that added advantages of the ability to choose any resolution from 1 pulse to 65,536 pulses per revolution and high temperature capability as standard. The advanced electronics provides superior performance and high noise immunity. Its very slim construction allows it to be mounted virtually anywhere, whilst still maintaining good environmental protection.



Cable Option shown above

PIN, 12-pin M23 Connector	Colour of wires	Signal TTL, HTL
6	Brown	\bar{A}
5	White	A
1	Black	\bar{B}
8	Pink	B
4	Yellow	\bar{Z}
3	Lilac	Z
10	Blue	GND
12	Red	+U _s
9	Screen	Screen
2	-	N. C.
11	-	N. C.

12 pin (M23) Connector Option (below)





60AA Series

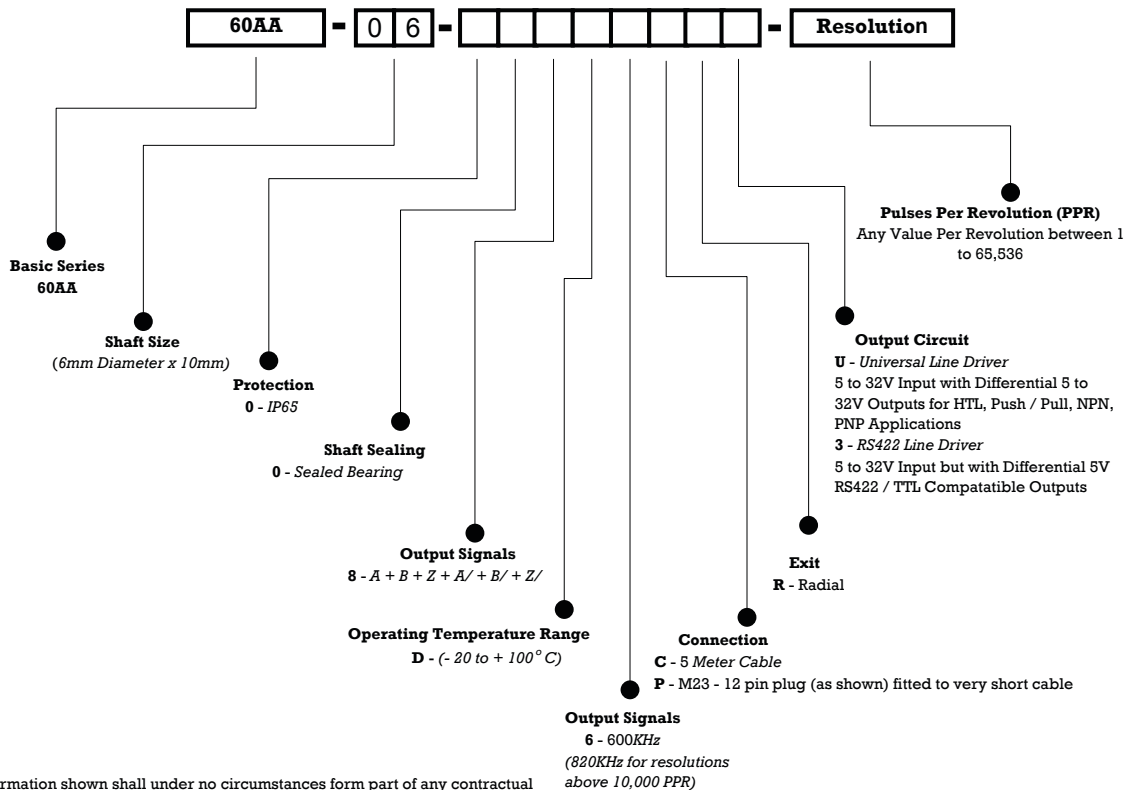
Solid Shaft Encoder



Protection:
IP65 (higher on request)
Shaft Loading:
80N (radial) 40N (axial)
Use with suitable flexible coupling
Operating Temperature:
-20 to +100°C
Storage Temperature:
-40 to +100°C
Maximum Speed:
10,000 RPM
Vibration:
20g @ 10...2000Hz
Shock:
60g @ 6ms
Humidity:
90% RH (non-condensing)

Supply Voltage:
5 to 32VDC
Current Consumption (max):
40mA - without load
Load Current (max):
30mA
Cable:
Screened, oil and salt water
Impulse Frequency (max):
1 to 10,000ppr = 600KHz
10,000 to 65536ppr = 820KHz
Noise Immunity:
EN 61000-6-2
EN 61000-6-4
Torque @ 20°C:
0.5Ncm (Start)
0.3Nm

Ordering Code



All information shown shall under no circumstances form part of any contractual representation by Industrial Encoders Direct Ltd.
All information is issued for guidance purposes only. A copy of our Standard Terms and Conditions is available on request.