

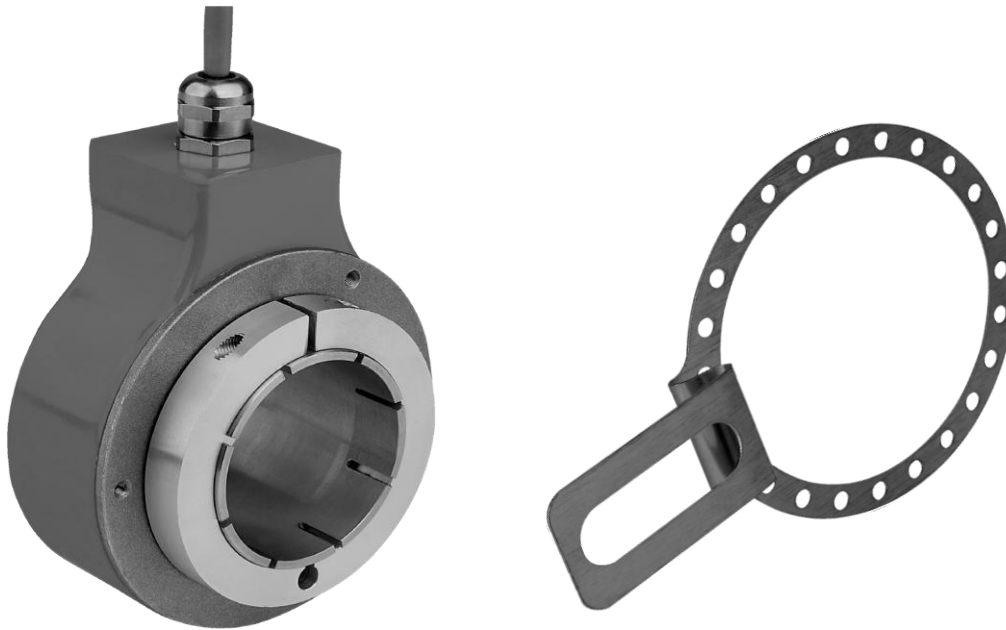


# SERIES 80HA



## ROTARY INCREMENTAL SHAFT ENCODER

The 80HA Series is a precision, yet versatile large-bore hollow shaft encoder. Its choice of versatile spring mounting clip or face mounting holes makes the encoder compatible with many industrial formats.



## S P E C I F I C A T I O N S

**Body:**  
ZAMAC (MAZAK)

**Cover:**  
ZAMAC (MAZAK)

**Shaft:**  
Aluminium

**Bearings**  
Ballraces

**Shaft Sealing:**  
**Front:** Sealed bearing  
**Rear:** Single lip seal on rear of cover

**Protection:**  
IP65

**Operating Temp:**  
-25 to +85°C

**Maximum Speed:**  
3600 RPM

**Torque:**  
6Ncm (typical)

**Inertia:**  
877gcm<sup>2</sup> (typical)

**Shaft Loading:**  
Designed to support its own weight

**Cable:**  
Screened, PUR

**Impulse Frequency:**  
Up to 300KHz

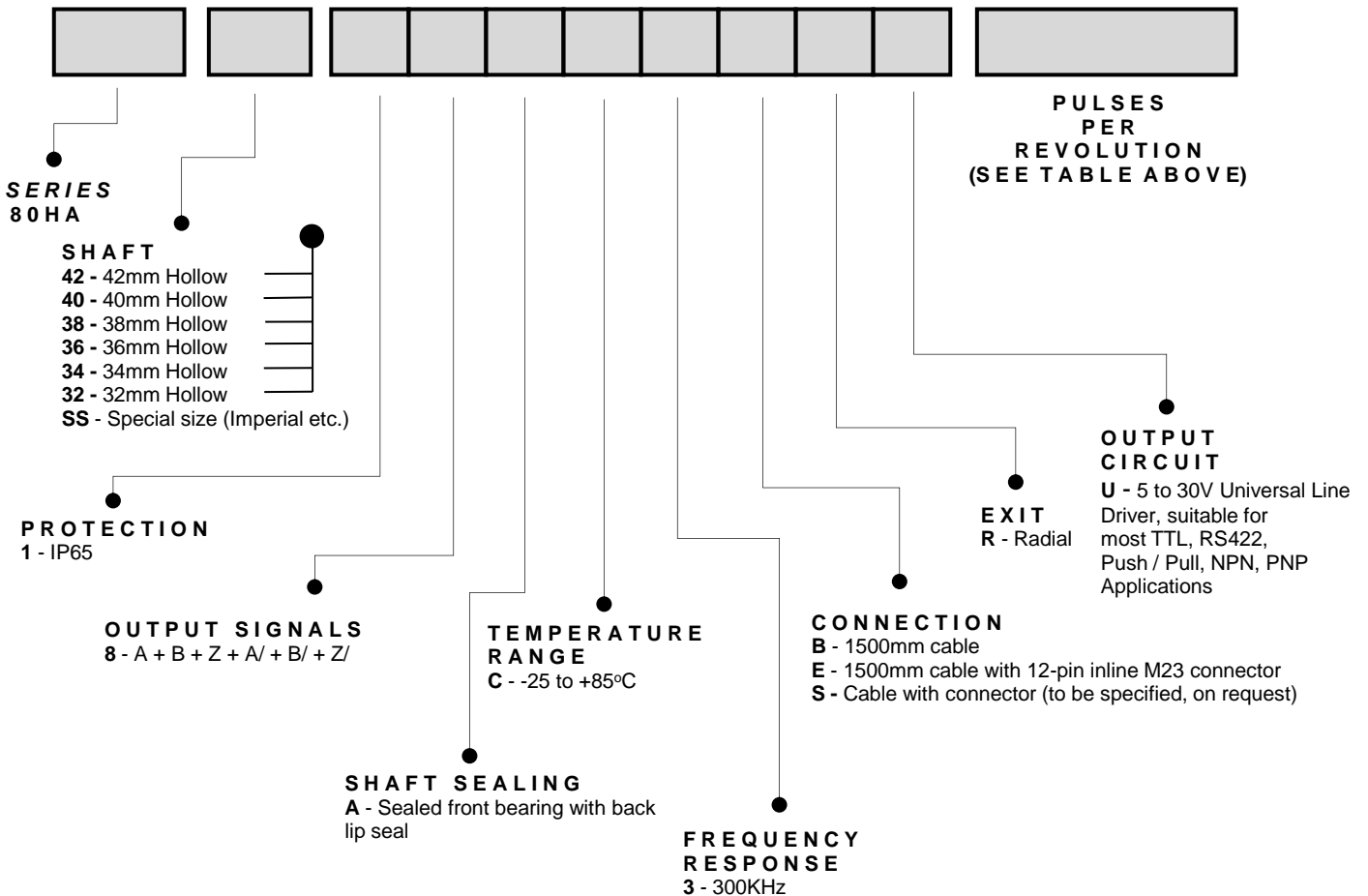
**Current Consumption:**  
50mA  
(typical - without load)

## C O N N E C T I O N S

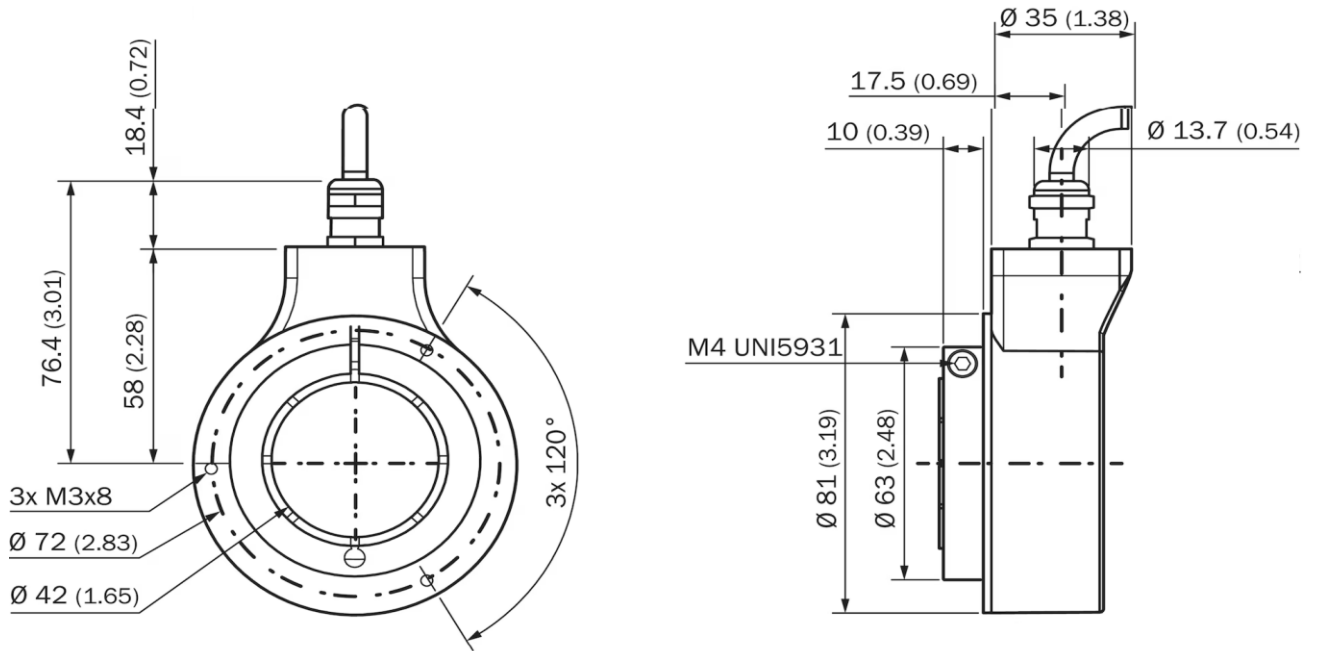
## R E S O L U T I O N S

FUNCTION	CABLE	PLUG	
0 Volts	Blue	Pin 1	1024
+ Volts	Red	Pin 2	2048
A Channel	White	Pin 3	2500
B Channel	Pink	Pin 4	4096
Z Channel	Violet	Pin 5	5000
A/ Channel	Brown	Pin 6	8192
B/ Channel	Black	Pin 7	
Z/ Channel	Yellow	Pin 8	

## O R D E R I N G   C O D E



# D I M E N S I O N A L D R A W I N G S



## M O U N T I N G P L A T E ( I N C L U D E D )

